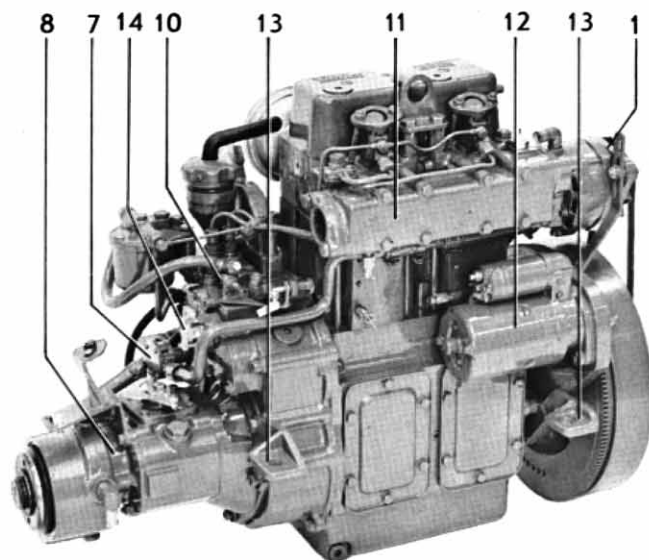
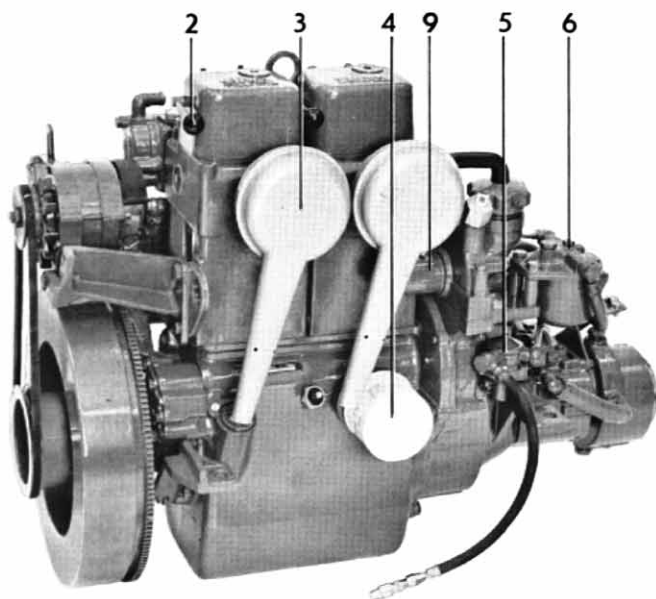


VOLVO PENTA

MD 11C



2-cylinder, 4-stroke marine diesel engine with direct injection
Propeller shaft output 17 kW (23 hp)



STANDARD EQUIPMENT

ENGINE BODY – Cylinder block and heads made of cast iron. Replaceable cylinder liners. Pistons made of light-alloy with 3 compression rings and one oil scraper ring. Crankshaft journalled in 3 bearings.

Decompression handle (2)

Recess for starting crank handle (9)

Tool kit with starting crank handle is supplied with engine.

FUEL SYSTEM – Piston-type injection pump with centrifugal governor for accurate speed regulation (10).

Feed pump with hand primer (5) and flexible hose with fuel pipe connection.

Effective fuel filter (6)

Manual cold-starting device.

Stop lever with bracket for push-pull mechanism (14).

COOLING SYSTEM – Thermostat-controlled sea-water cooling. Sea-water pump with neoprene rubber impeller (7). The reverse gear reduction gear is water-cooled.

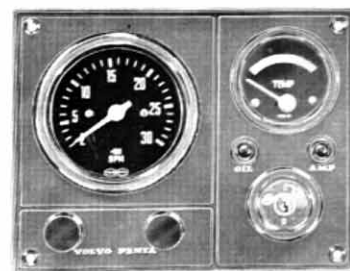
LUBRICATING SYSTEM – Pressure-lubrication system with full-flow lubricating oil filter of the spin-on type (4). Sealed crankcase ventilation.

INTAKE SYSTEM – Intake silencers (3) with filter.

EXHAUST SYSTEM – Sea-water cooled exhaust manifold of cast iron with R 1 1/4" connection (11).

ELECTRICAL SYSTEM – Corrosionproof 12 V electrical system, with complete instrument panel. Alternator 35 A, 420 W (1). Starter motor output 1.5 kW (2 h.p.) (12).

The instrument panel is provided with a key switch, rev counter, temperature gauge, warning lamps for battery charging and oil pressure, a switch for instrument lighting and 1 extra switch. Cable harness, 4 m (13 ft.) in length, with connector. Main fusing with built-in spare fuse is supplied.



ENGINE MOUNTING – The engine is supplied with engine brackets for fixed suspension (13).

POWER TRANSMISSION – MS-B (Mono-Shift) type reverse gear. Single control lever for both speed and operating the reverse gear should be used. Bracket for control cables included.

Delivered without propeller shaft flange.

Reverse gear type MS-B red. ratio 1.91:1, L-H prop. (8).

PRODUCT BULLETIN

EXTRA EQUIPMENT

FUEL SYSTEM

Electrically operated fuel pump
Cold starting device, mechanical
Cold starting device, electrically operated
Water-separating filter with or without flexible hoses
Water separator
Fuel tank
Cap with connections for fuel tank
Fuel line kit with copper piping and installation parts

COOLING SYSTEM

Sea-water filter complete with attachment
Cooling water intake complete with cock and hose
Vacuum valve

EXHAUST SYSTEM

Water-cooled exhaust elbow
Hull through fitting
Exhaust rubber hose

Water-cooled silencer, complete
Exhaust boot
Silencer
Compensator

ELECTRICAL SYSTEM AND INSTRUMENTS

Charging distributor for charging 2-battery system
Extra instruments: Hourmeter, fuel and water gauge, voltmeter, rudder indicator.
Master switch
Cable harness extension
Instrument panel for extra instrument
Automatic alarm for oil pressure and water temperature

ENGINE MOUNTING

Flexible engine mounting

BOAT ACCESSORIES

Electrically operated bilge pump
Original paint
Oils

CONTROLS AND CONTROL SYSTEM

VP single-control lever for both speed and forward-reverse operation, top-mounted or side-mounted.
Neutral-position switch — automatic safety interlock for VP controls
Push-pull controls
Control cables
Steering gears
Steering wheels
Steering lock
Steering cables
Ball joint and fork kit for steering cables

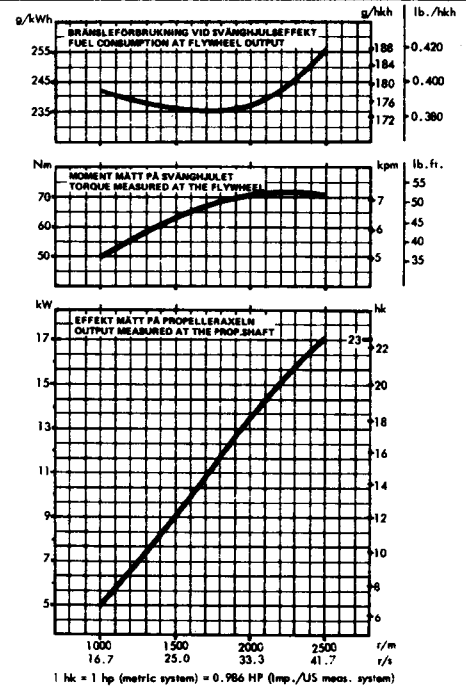
PROPELLER EQUIPMENT

Flexible coupling
Clamp coupling
Propeller shafts
Propeller shaft sleeves
Propellers

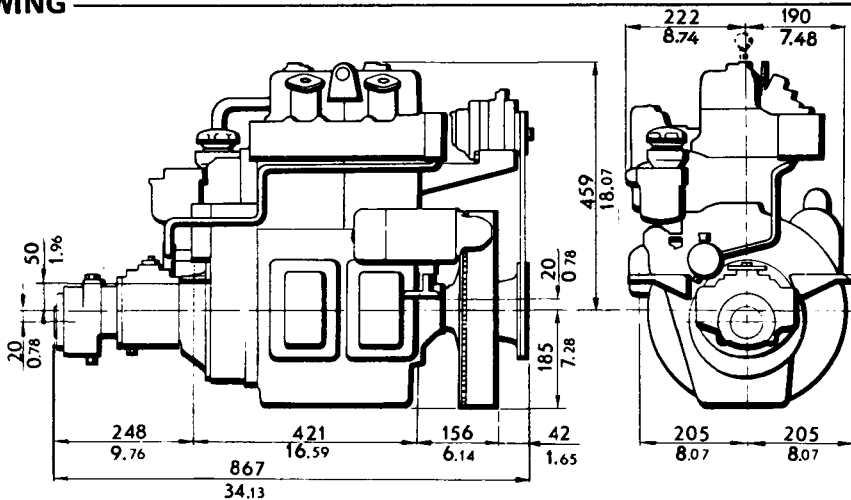
DATA

Type of operation 4-stroke diesel engine with direct injection
Designation MD11C
Propeller shaft output¹⁾ 17 kW at 41.7 r/s (23 hp at 2500 rpm)
Number of cylinders 2
Capacity, dm³ (in³) 1.120 (68.4)
Bore, mm (in) 88.9 (3.5)
Stroke, mm (in) 90 (3.54)
Valves overhead
Weight, engine with MS-B rev. gear 1.91:1, kg (lb), approx 230 (505)

1) The diagram indicates the propeller shaft output for a run-in engine with mechanical reverse gear according to DIN 6270 Leistung B für Dauerbetrieb. The engine flywheel output is approx. 4.5% higher.



DIMENSION DRAWING



VOLVO PENTA

S-405 08 Göteborg, Sweden
Telephone: 031/23 54 60
Cables: Penta Göteborg
Telex: 207 55 PENTA S

We reserve the right to carry out modifications

Printed in Sweden. Göteb. Kungälv. 1977:23120

7767501 - Heruntergeladen von www.volvo-penta.com 07.02.2010 21:31:02