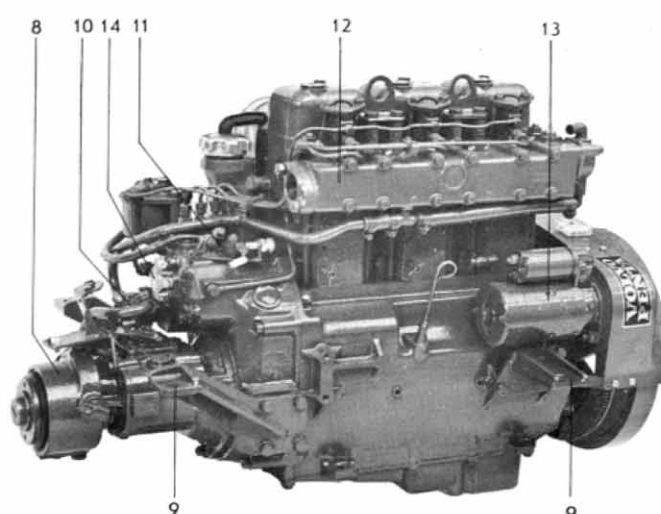
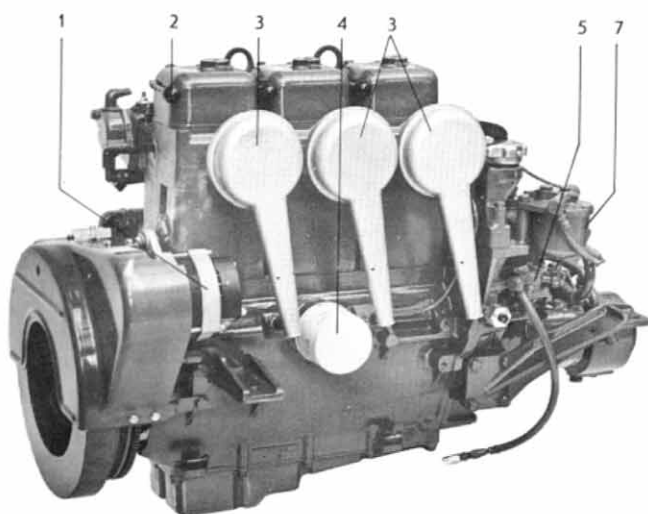


MD 17C



3-cylinder, 4-stroke marine diesel engine with direct injection
Propeller shaft output 35 hp (26 kW)



STANDARD EQUIPMENT

ENGINE BODY – Cylinder block and heads made of cast iron. Replaceable cylinder liners. Pistons made of light-alloy with 3 compression rings and one oil scraper ring. Crankshaft journalled in 4 bearings. Decompression handle (2). Tool kit is supplied with engine.

FUEL SYSTEM – Piston-type injection pump with centrifugal governor for accurate speed regulation (11). Feed pump with hand primer (5) and flexible hose with fuel pipe connection. Effective fuel filter (7). Automatic cold-starting device. Stop lever with bracket for push-pull mechanism (14).

COOLING SYSTEM – Thermostat-controlled sea-water cooling. Sea-water pump with neoprene rubber impeller (10). The reverse gear reduction gear is water-cooled.

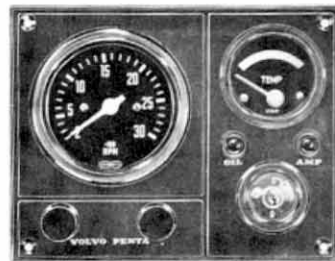
LUBRICATING SYSTEM – Pressure-lubrication system with full-flow lubricating oil filter of the spin-on type (4). Sealed crankcase ventilation.

INTAKE SYSTEM – Intake silencers (3) with filter.

EXHAUST SYSTEM – Sea-water cooled exhaust manifold of cast iron with R 1 1/4" connection (12).

ELECTRICAL SYSTEM – Corrosionproof 12 V electrical system, with complete instrument panel. Alternator 35 A, 420 W (1). Starter motor output 1.5 kW (2 h.p.) (13).

The instrument panel is provided with a key switch, rev counter, temperature gauge, warning lamps for battery charging and oil pressure, a switch for instrument lighting and 1 extra switch. Cable harness, 4 m (13 ft.) in length, with connector. Main fusing with built-in spare fuse is mounted on engine.



ENGINE MOUNTING – The engine is supplied with engine brackets for fixed suspension (9).

POWER TRANSMISSION – Reverse gear type MS-B (Mono-Shift) red. ratio 1.91:1, L-H prop. (8). Delivered without propeller shaft flange. Single control lever for both speed and operating the reverse gear should be used. Bracket for control cables included.

EXTRA EQUIPMENT

FUEL SYSTEM

Electrically operated fuel pump
Water-separating filter with or without flexible hoses
Water separator
Fuel tank
Cap with connections for fuel tank
Fuel line kit with copper piping and installation parts

COOLING SYSTEM

Sea-water filter complete with attachment
Cooling water intake complete with cock and hose
Vacuum valve

EXHAUST SYSTEM

Water-cooled exhaust elbow
Hull through fitting
Exhaust rubber hose
Water-cooled silencer, complete
Exhaust boot

Silencer
Compensator

ELECTRICAL SYSTEM AND INSTRUMENTS

Charging distributor for charging 2-battery system
Extra instruments: Hourmeter, fuel- and water gauge, voltmeter, rudder indicator.
Master switch
Cable harness extension
Instrument panel for extra instrument
Automatic alarm for oil pressure and water temperature

ENGINE MOUNTING

Flexible engine mounting
Brackets for narrow bed

BOAT ACCESSORIES

Electrically operated bilge pump
Original paint
Oils

CONTROLS AND CONTROL SYSTEM

VP single-control lever for both speed and forward-reverse operation, top-mounted or side-mounted.
Neutral-position switch — automatic safety interlock for VP controls
Push-pull controls
Control cables
Steering gears
Steering lock
Steering wheels
Steering cables
Ball joint and fork kit for steering cables

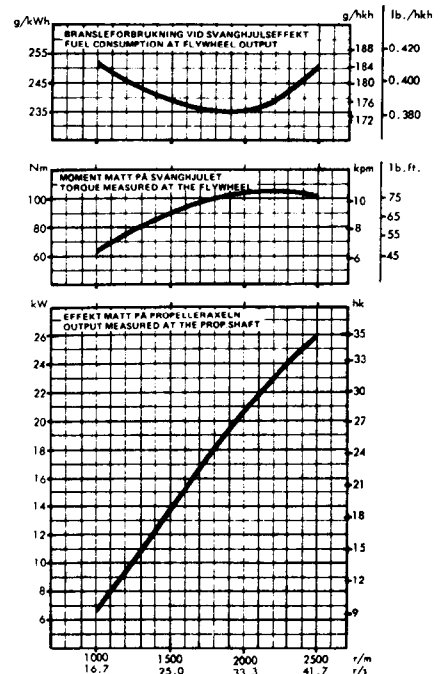
PROPELLER EQUIPMENT

Flexible coupling
Clamp coupling
Propeller shafts
Propeller shaft sleeves
Propellers

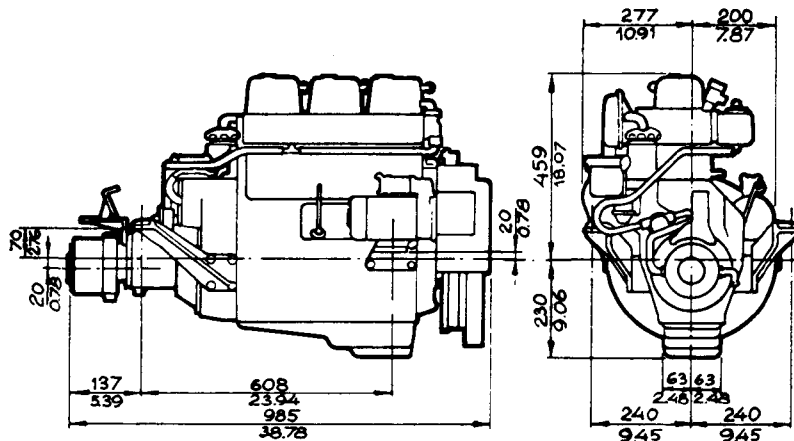
DATA

Type of operation 4-stroke diesel engine with direct injection
Designation MD17C
Propeller shaft output¹⁾ 35 hp at 2500 rpm (26 kW at 41.7 r/s)
Number of cylinders 3
Capacity 1.680 dm³ (102 in³)
Bore 88.9 mm (3.5 in)
Stroke 90 mm (3.54 in)
Valves overhead
Weight, engine with MS rev. gear 1.91:1, approx 290 kg (640 lb)

1) The diagram indicates the propeller shaft output for a run-in engine with mechanical reverse gear according to DIN 6270 Leistung B für Dauerbetrieb. The engine flywheel output is approx. 3% higher.
1 hk = 1 hp (metric system) = 0.986 HP (Imp./US meas. system)



DIMENSION DRAWING



VOLVO PENTA

S-405 08 Göteborg, Sweden
Telephone: 031/23 54 60
Cables: Penta Göteborg
Telex: 207 55 PENTA S

We reserve the right to carry out modifications