

MD 2

MARINE DIESEL ENGINE 15.5 h.p.



The Volvo Penta MD 2 is a two-cylinder, four-stroke diesel engine with direct injection and it is suitable for use in small fishing boats, work boats, pleasure boats and as an auxiliary engine in sailing yachts.

The MD 2 is based on the same components as those used in the Volvo Penta one-cylinder MD 1 engine and its output is 15.5 h.p. at 2300 r.p.m. The MD 2 has the same outstanding qualities as the MD 1 and has low fuel consumption as well as dependable and smooth running properties. This is indeed a light-weight engine since the MD 2 weighs only 190 kg (420 lbs) including the reduction/reverse gear. The compact dimensions are really well worth noting as well: total length 762 mm (30") and height only 640 mm (25 1/4"). This makes possible installation in a boat even when the space is extremely limited.

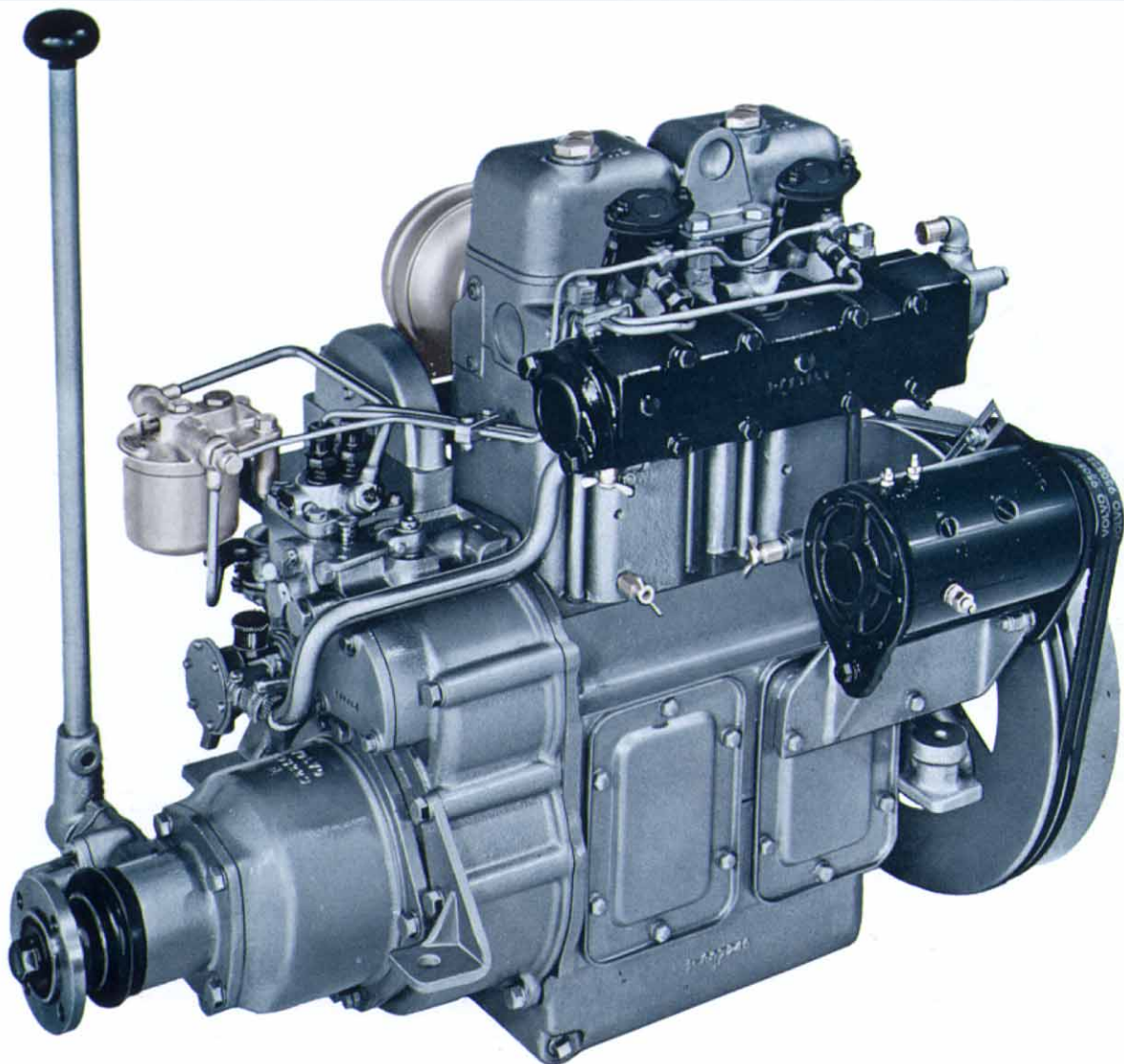
Here are some of the features which are included in the standard excution:

- Feed pump with hand primer for fuel. This eliminates the necessity of locating the fuel tank at a higher level than the engine to ensure a gravity feed.
- Full-flow lubricating oil filter of the "spin-on" type—easy to change.
- Thermostat-controlled cooling means that the engine always runs at its most favourable operating temperature.

- Easily adjustable overhead valves.
- Sea-water pump with an impeller made of neoprene rubber which is practically insensitive to sludge and sand in the water.
- Decompression device and raised hand starter facilitate manual starting and the cold starting device also provides easy starting in cold weather.
- The Volvo Penta patented self-adjusting reduction/reverse gear with a ratio of 1.87:1 is extremely compact and has a great reputation for dependable operation. In the neutral position there is no friction in the reverse gear which can make the propeller rotate and in the case of a sailing craft the propeller "free-wheels".
- Closed circuit type crankcase ventilation—a built-in filter above the tappets evacuates the crankcase gases and feeds them into the engine induction manifold. This means no fumes in the engine compartment.

Standard equipment includes a speed control device as well as an oil pressure gauge, oil jump pump and tool kit.

Extra equipment available for the MD 2 includes a 12 V starter/dynamo (1 h.p.—90 W) with instrument panel. A pulley for extra power take-off can be supplied fitted on the flywheel.

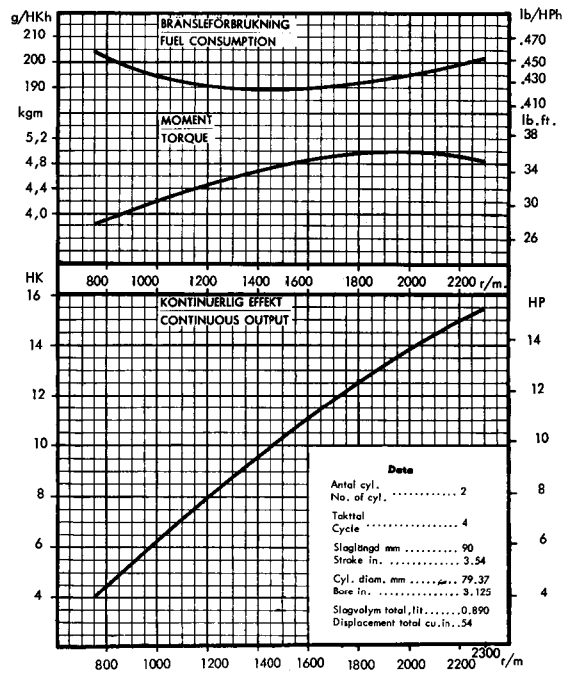


Ref. 5482

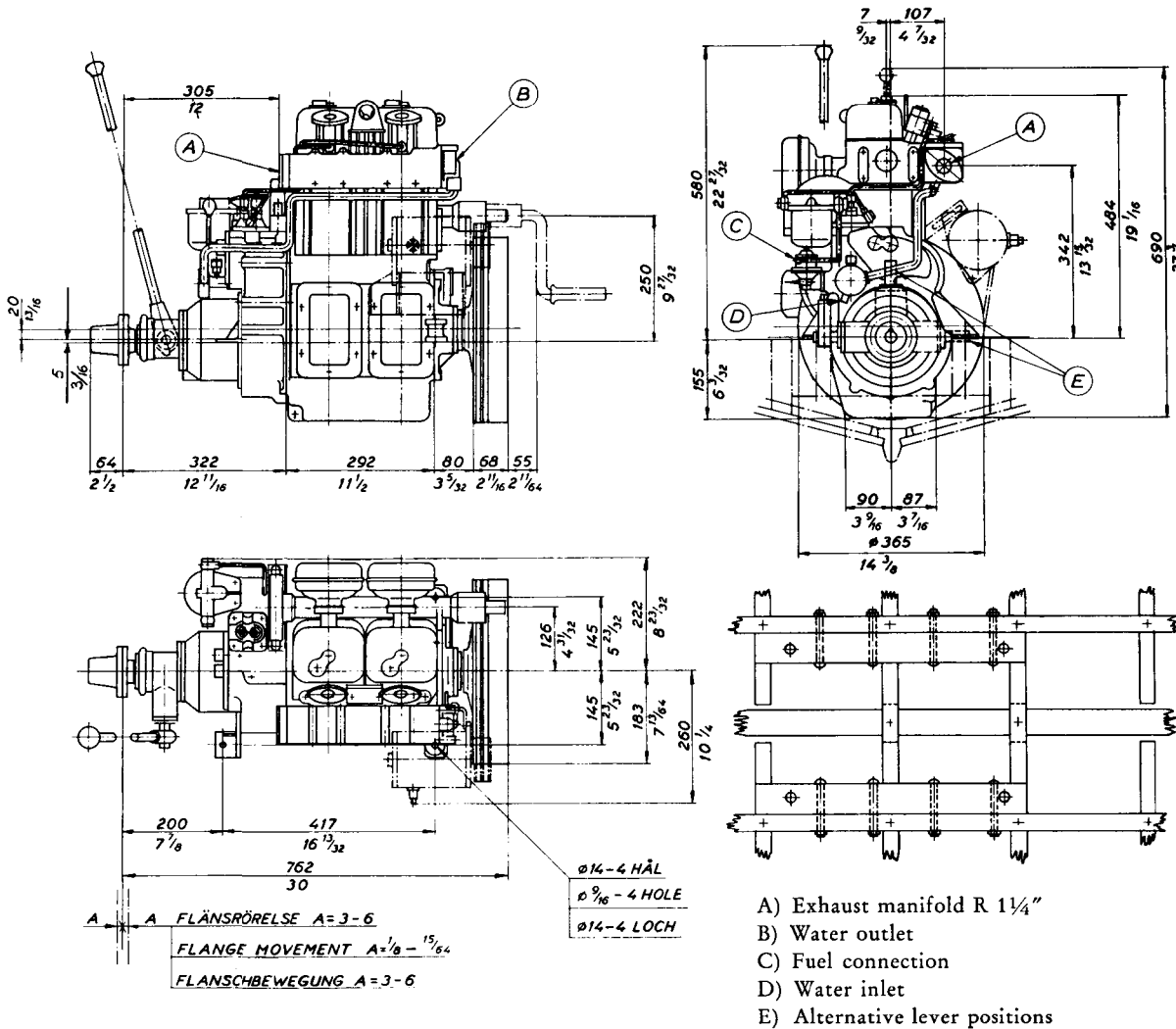
MD 2

Data

Output, h.p.	15.5
Engine speed, r.p.m.	2300
Max. torque kgm (lb.ft.)/r.p.m.	5.0(36)/1900
Propeller speed at 2300 r.p.m. engine speed	1230
Ratio, reduction/reverse gear	1.87:1
Bore, mm (in.)	79.37 (3.085")
Stroke, mm (in.)	90 (3.54")
Capacity, c.c. (cu. in.)	890 (54)
Propeller	Left hand thread
Max. inclination with boat under way	15°
Net weight, including reduction/reverse gear, kg (lb.)	190 (420)



Dimension drawings



AB VOLVO PENTA
 Box 392, Gothenburg 1, Sweden
 Telephone: 23 54 60, Telex 20755

Printed in Sweden. Holmqvists, Gbg. 6000. 8.64. 641763.
 För distribution enligt SFS 509/1961 p. 2.